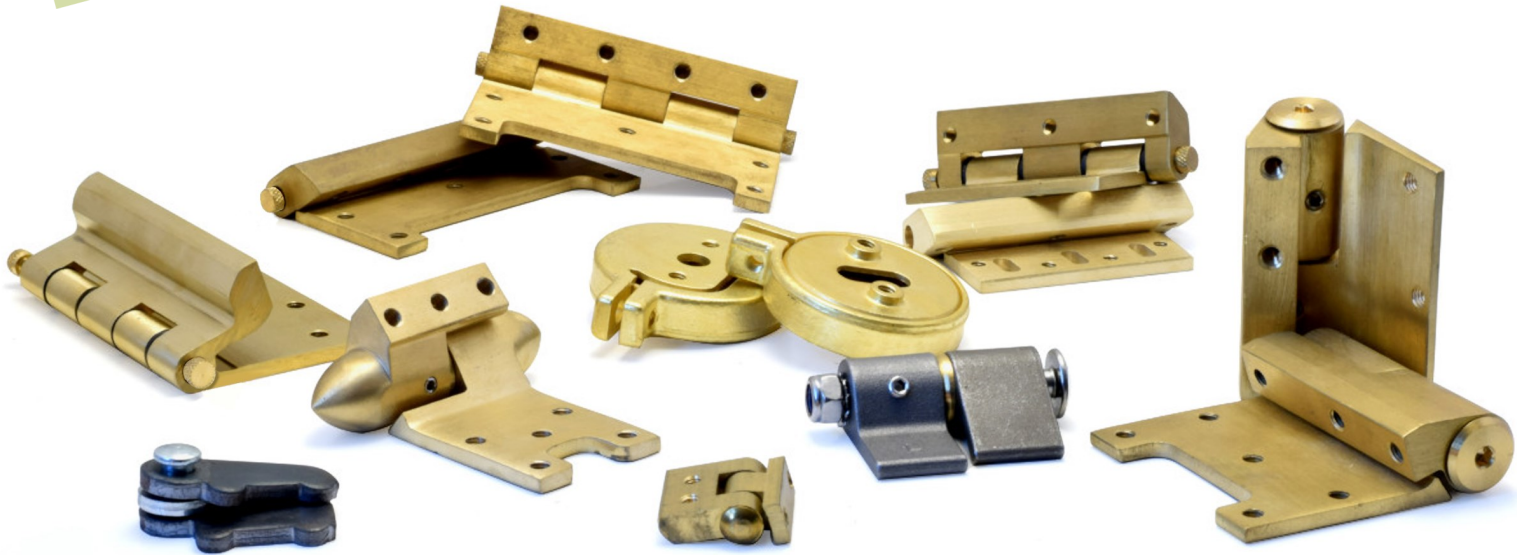


swf

STEEL WINDOW FITTINGS



Hinges Range



Hinges are a fundamental fitting for all windows and doors. Not only do hinges keep the moving section attached to the frame—the right hinge is important to consider for safety, security and longevity.

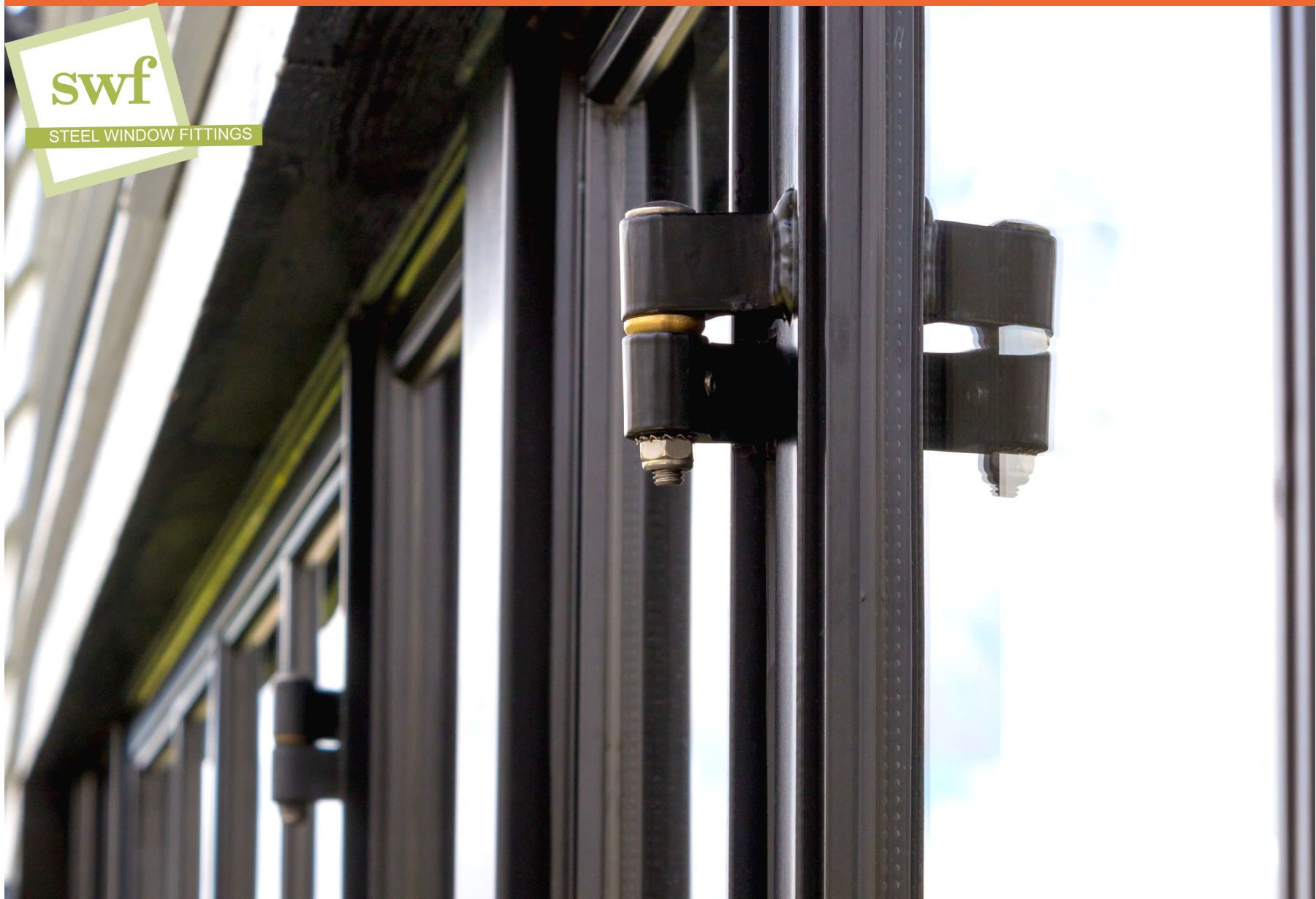
Today, there are many options to mount your hinge.

Steel Window Fittings offer both drillable and weldable hinges.

Bullet Hinges		Pages 4 - 7
Butt Hinges		Pages 8 - 13
Top Hung Hinges		Pages 14 - 17
Traditional Hinges		Pages 18 - 27
3D Hinges		Page 28 - 31

The logo consists of the lowercase letters 'swf' in a bold, sans-serif font, colored in a light green. It is positioned inside a white square that is tilted slightly to the right. The square has a thin green border.

STEEL WINDOW FITTINGS





STEEL WINDOW FITTINGS



Bullet Hinges

The bullet hinge is a popular type of hinge due to its stylish appearance and the ability to lift doors and windows off of the frame. Also supplied with a screw to disable or enable lift off.

Available in left and right hand in brass featuring a stainless steel pin.



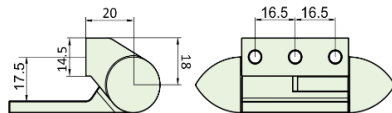
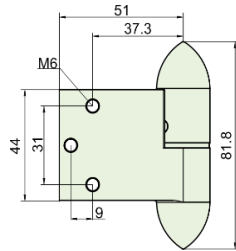




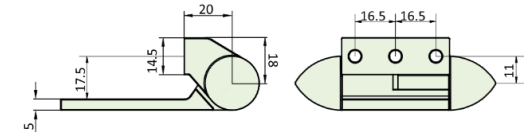
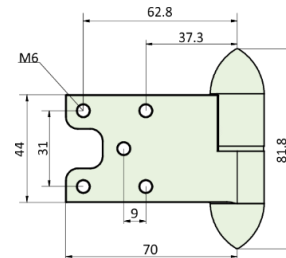
B202 and B203 Large Bullet Lift Off Hinges

PRODUCT FEATURES & TECHNICAL INFORMATION

- Stylish large lift off hinge in solid natural polished brass with stainless steel pin
- For use on windows and doors
- Enables application to be lifted off its hinges
- Features a security locking screw to disable lift off with concealed fixings
- B202 is designed for a direct fit to OttoStumm W50TB window and door systems
- Hinges available in left (LH) or right hand (RH)



B203 (RH) & Dimensions



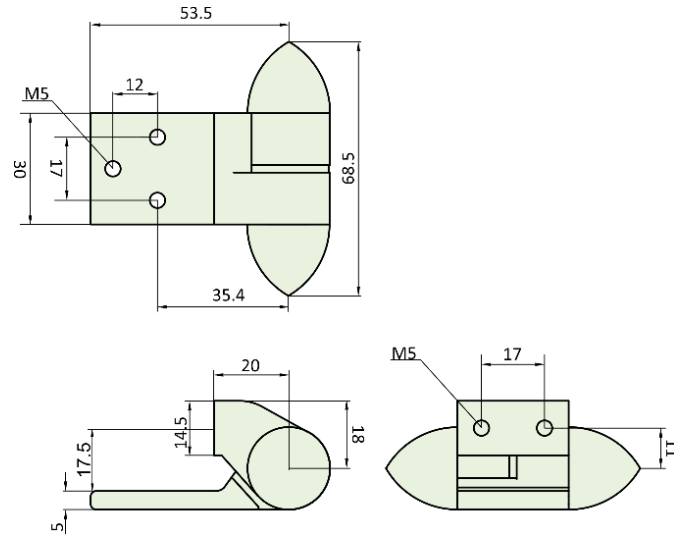
B202 (RH) & Dimensions



B204 Bullet Lift Off Hinge

PRODUCT FEATURES & TECHNICAL INFORMATION

- Stylish lift off hinge in solid natural polished brass with stainless steel pin.
- For use on windows and doors
- Enables application to be lifted off its hinges
- Features a security locking screw to disable lift off with concealed fixings
- Hinges available in left (LH) or right hand (RH)



Dimensions


The logo consists of the lowercase letters 'swf' in a bold, sans-serif font, enclosed within a white square with a thin green border.

STEEL WINDOW FITTINGS

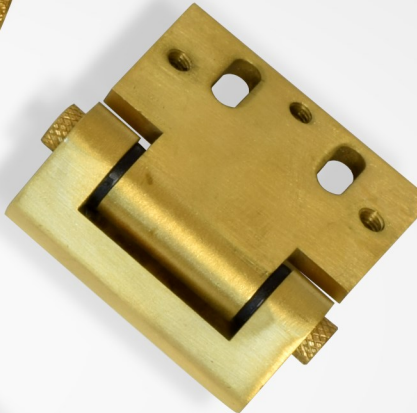
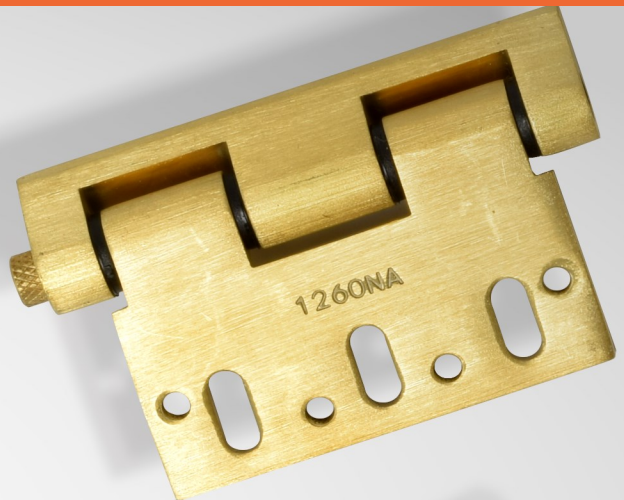
Butt Hinges

The most common type of conventional hinge due to their flexibility of application. Our solid brass butt hinges are available with and without washers.

Suitable for doors and windows, non-handed.

A close-up photograph of a brass butt hinge. The hinge is shown from a side-on perspective, highlighting the interlocking mechanism of the two leaves. The metal has a polished, golden-brass finish. On the lower leaf, the model number '2100NA' is engraved vertically.

2100NA

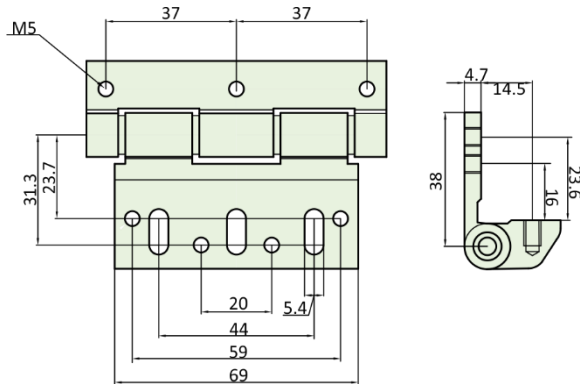




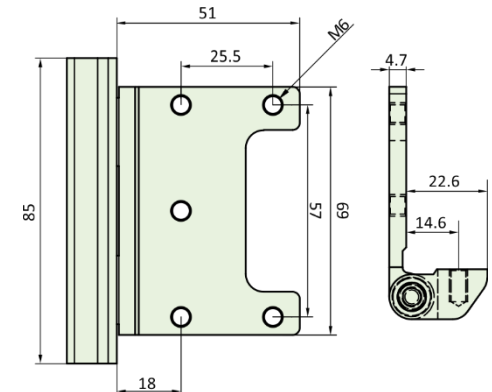
PRODUCT FEATURES & TECHNICAL INFORMATION

- High security hinge in solid natural polished brass
- Concealed fixing holes and nylon bushes for superior longevity
- For use on windows and doors
- Hinges are non-handed and share same fixed leaf 85mm fixings
- BS1260 features slotted fitting holes to allow adjustability.
- BS1260EXT has an extended leaf for use with W50TB and Steele Arte systems

BS1260 Slim Line Butt Hinges – 85mm



BS1260 & Dimensions



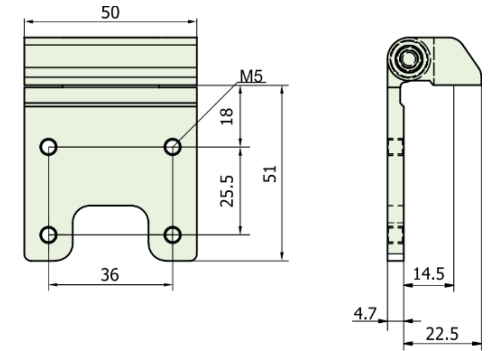
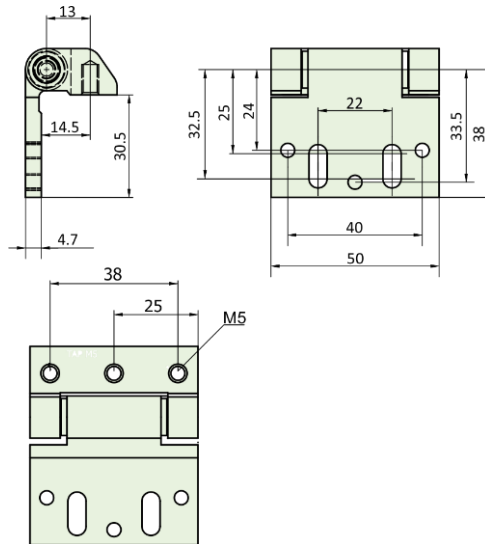
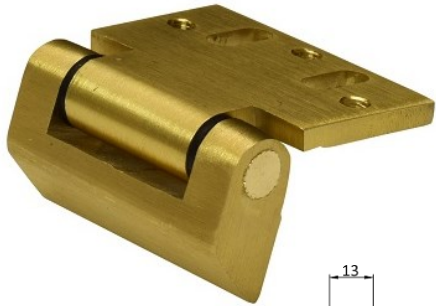
BS1260EXT & Dimensions



PRODUCT FEATURES & TECHNICAL INFORMATION

- High security hinge in solid natural polished brass
- Concealed fixing holes and nylon bushes for superior longevity
- For use on top hung and side hung windows
- Hinges are non-handed and share same fixed leaf 50mm fixings
- BS2050 features slotted fitting holes to allow adjustability.
- BS2050EXT has an extended leaf for use with W50TB and Steele Arte systems

BS2050 Slim Line Butt Hinges – 50mm



BS2050 & Dimensions

BS2050EXT & Dimensions



BS2100 Slim Line Butt Hinges – 100mm

PRODUCT FEATURES & TECHNICAL INFORMATION

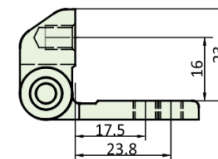
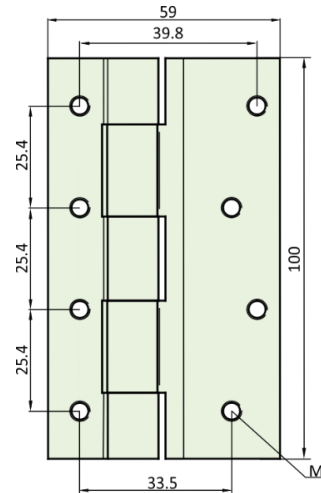
- High security hinge in solid natural polished brass
- Concealed fixing holes
- For use on windows and doors
- Hinges are non-handed
- BS2100 is fitted with nylon bushes for superior longevity
- BS2100NW is non-washed version of hinge



BS2100NW



BS2100



Dimensions



BS3100 Projection Slim Line Butt Hinges – 100mm



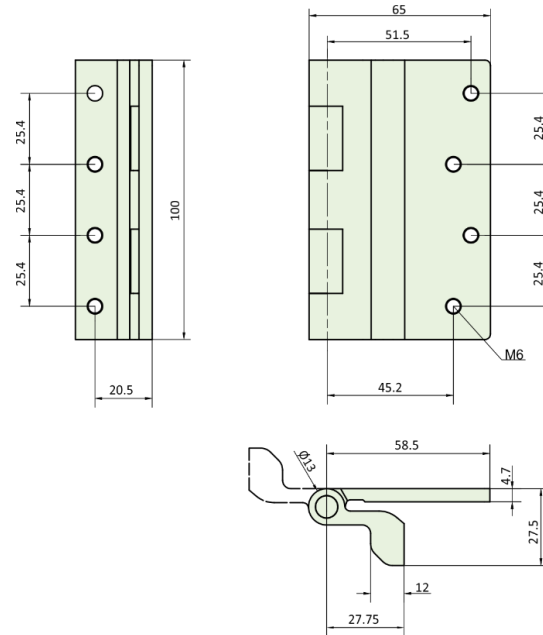
BS3100



BS3100NW

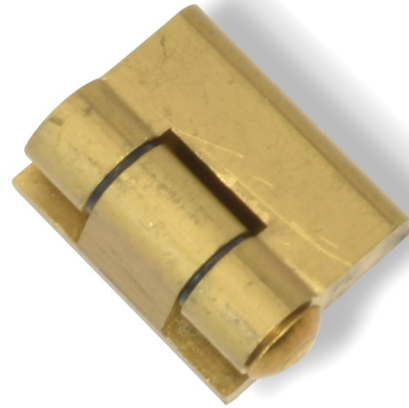
PRODUCT FEATURES & TECHNICAL INFORMATION

- High security projection hinge in solid natural polished brass
- Projection allows opening of 180 degrees clearing a reveal or mullion
- Concealed fixing holes
- For use on windows and doors
- Hinges are non-handed and share same fixed leaf 100mm fixings
- BS3100 is fitted with nylon bushes for superior longevity
- BS3100NW is non-washed version of hinge



Dimensions BS3100

Dimensions BS3100NW

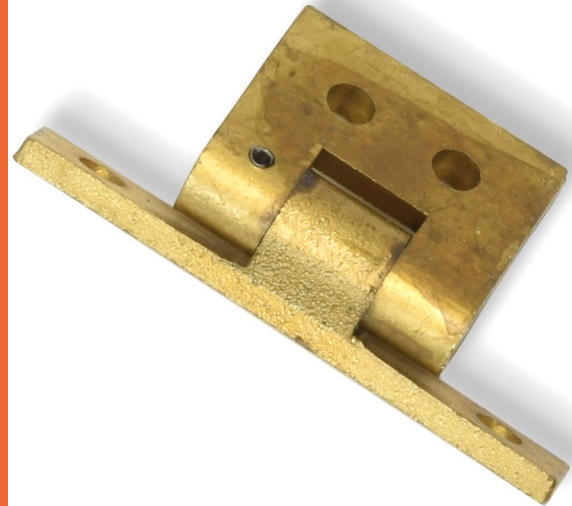


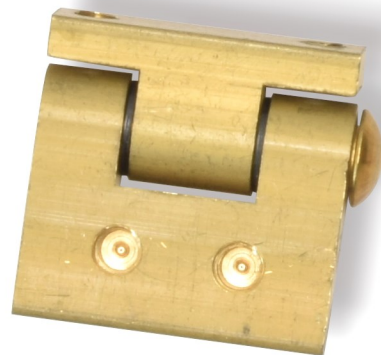
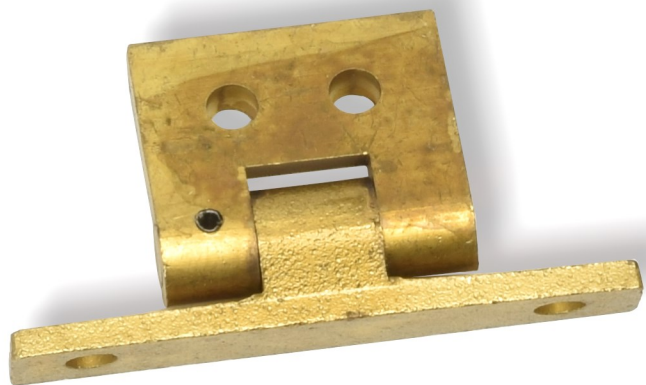
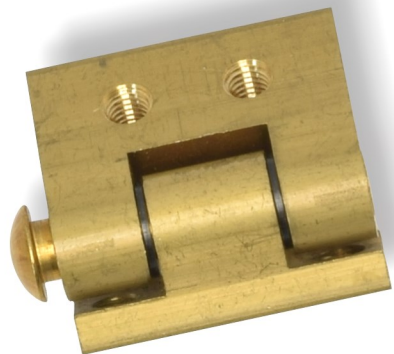
Top Hung Hinges

Steel Window Fitting's top hung hinges are small and subtle however they are extremely robust!

Suitable for all types of window including the heavier steel, they feature concealed screws for increased protection for properties.

Available in solid brass.





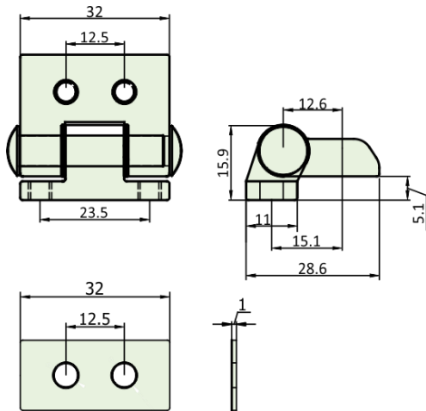


B528 Slim Line Top Hung Hinges

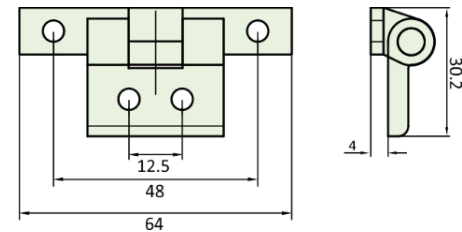


PRODUCT FEATURES & TECHNICAL INFORMATION

- Solid natural brass hinge for use on top hung windows
- B528M features concealed screws to provide higher security
- B528M is suitable for windows which have 5mm between the fixed and moving frame. Supplied with packer to change this dimension to 4mm
- B528R is often used for restoration, this hinge can be fitted as a replacement hinge whilst the window is still fitted in the building.
- B528R is mainly suitable for 'F' (SMW) section windows which have 4mm between the fixed and moving frame.
- B528 are suitable for M5 fixing screws
- Hinges are non-handed



B528M & Dimensions



B528R & Dimensions



swf

STEEL WINDOW FITTINGS

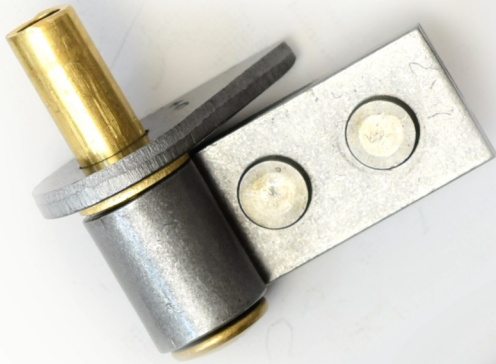


Traditional Hinges

SWF's traditional hinges are perfect for those properties that are looking to retain as much of a heritage appearance as possible without sacrificing aesthetics, security or durability.

Applications include pivoting windows or doors and projection hinges that can be welded and riveted to frames.



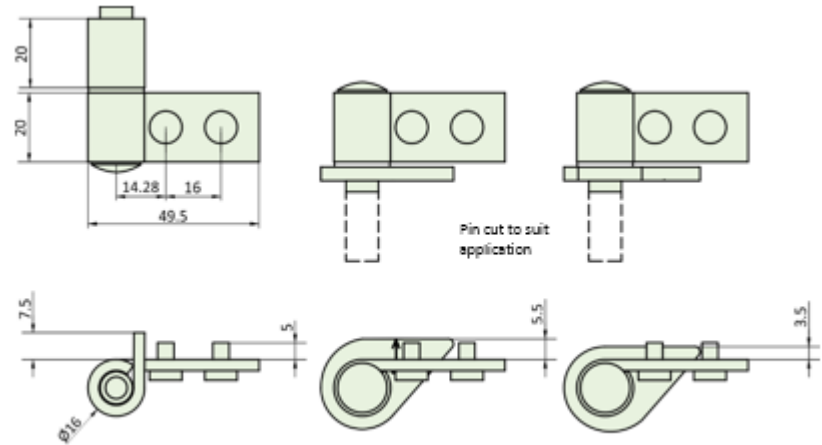




B543 Corner Rivet and Weld on Hinge

PRODUCT FEATURES & TECHNICAL INFORMATION

- A traditional hinge made from mild steel with 2 fixing rivets
- A 2 in 1 hinge suitable for 2 different configurations that can be used for side or top hung windows
- Supplied with 'Pear Drop' washer which is suitable for 3mm or 5mm profile
- Requires a suitable finish to be applied, *these are normally fixed to the window during preparation stages*
- Hinges are non-handed



Dimensions



S1025 Projection Corner Traditional Weld on Hinge



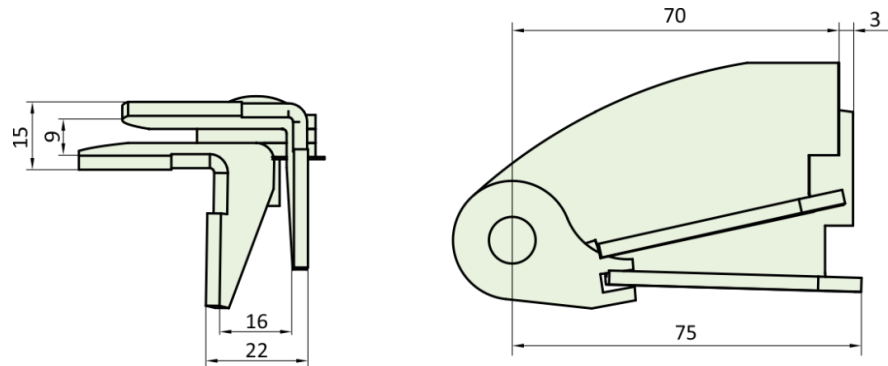
S1025NA



S1025BP

PRODUCT FEATURES & TECHNICAL INFORMATION

- A traditional projection weld on hinge made from mild steel
- Projection allows opening of 180 degrees clearing a reveal or mullion
- Friction washer once fitted, enables window to have friction resistance
- Requires a suitable finish to be applied, *these are normally fixed to the window during preparation stages*
- S1025NA is supplied with bolt & nut for fitting
- S1025BP is supplied with a brass pin for fitting. *This requires riveting during assembly and can be fitted in either direction to the hinge allowing for different aesthetic appearances*
- Hinges are supplied as a pair



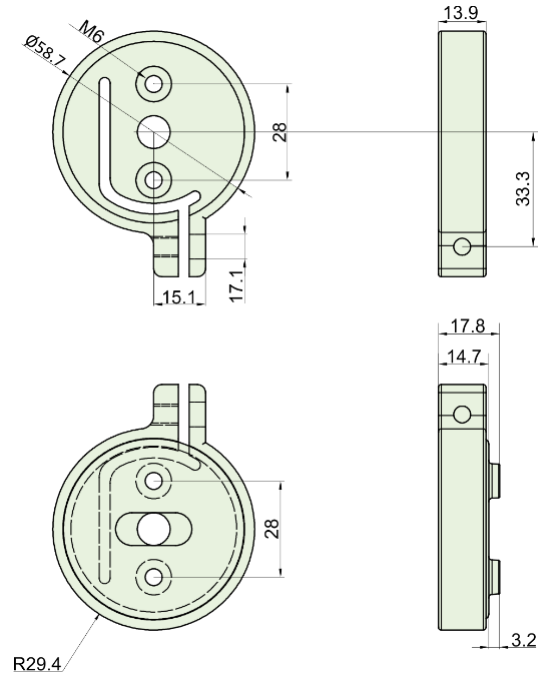
Dimensions



PRODUCT FEATURES & TECHNICAL INFORMATION

- Traditional pivot hinge for horizontal and vertical opening window
- Solid natural brass hinge
- Supplied with a spacer and 2 different size adjustment screws to suit application

B6/2 - Traditional Pivot for Horizontal and Vertical windows



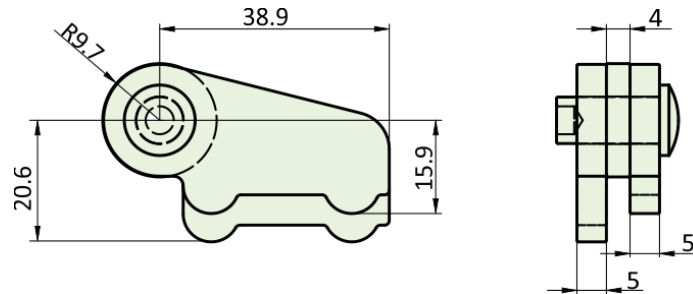
Dimensions



PRODUCT FEATURES & TECHNICAL INFORMATION

- A traditional weld on hinge made from mild steel
- Requires a suitable finish to be applied, *these are normally fixed to the window during preparation stages*
- Hinges are non-handed
- Hinges are supplied as a pair.

S520 Corner Weld on Hinge



Dimensions



PRODUCT FEATURES & TECHNICAL INFORMATION

- A pair of pivots for a single window specifically for W40 System.
- Available in natural Brass finish.
- Supplied with all the parts required for fitting.

**B8/MW40NA W40. Traditional Pivot for
Horizontal and Vertical windows**



Dimensions



PRODUCT FEATURES & TECHNICAL INFORMATION

- A pair of pivots for a single window specifically for W50TB System.
- Available in natural Brass finish.
- Supplied with all the parts required for fitting.

**B8/MW50NA W50. Traditional Pivot for
Horizontal and Vertical windows**



Dimensions



PRODUCT FEATURES & TECHNICAL INFORMATION

- A weld on self-aligning hinge made from mild steel
- Suitable for use on windows and doors
- Features a security screw which can only be accessed when in open position enabling the hinge to act as a lift off to remove the window or door
- Supplied with a brass bush and stainless steel bolt pin as standard
- S1036BPIN Brass pin can be purchased separately for a different aesthetic appearance
- Requires a suitable finish to be applied, *these are normally fixed to the window or door during preparation stages*
- Hinges available in left (LH) or right hand (RH)

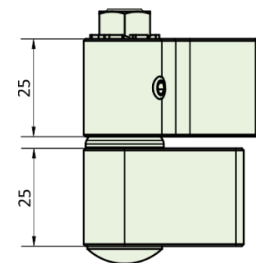
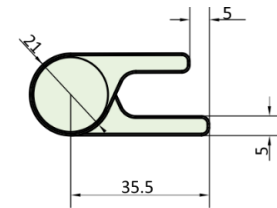
S1036 Self Aligning, Lift off Weld on Hinge



S1036



S1036 fitted with S1036BPIN



Dimensions (RH)

swf

STEEL WINDOW FITTINGS



The logo consists of the lowercase letters 'swf' in a green, serif font, enclosed within a white square with a green border. The square is tilted slightly to the right.

swf

STEEL WINDOW FITTINGS

3D Hinges

Two brass 3D window hinges are shown against a white background. The hinge on the left is positioned to show its side profile, which is a curved, L-shaped piece with four circular adjustment holes. The hinge on the right is shown from a top-down perspective, revealing its rectangular shape and three adjustment holes. Both hinges have a polished, brushed brass finish.

The 3D adjustable hinge is an exclusive steel window fittings furnishing. Named for the three dimensional adjustment made possible, the 3D hinge is left or right hand specific.

Solid brass with stainless steel adjustment screws.





B310 - 3D Adjustable Hinge



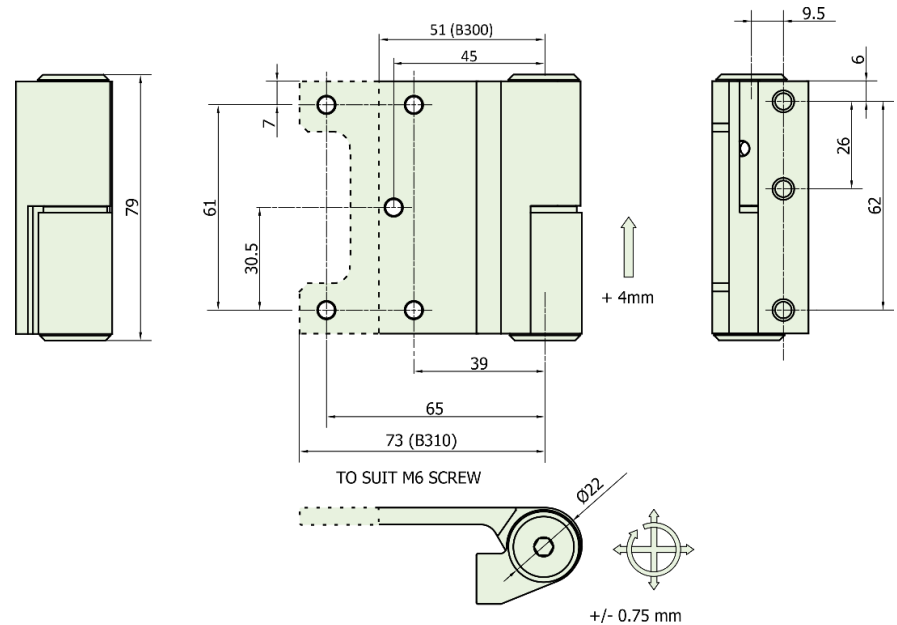
B310 (RH) Lift off Hinge



B300 (RH) Lift off hinge

PRODUCT FEATURES & TECHNICAL INFORMATION

- 3D adjustable lift off hinge In solid natural Brass
- High security lift off hinge
- Allows 3-dimensional adjustment once fitted to doors or windows
- High loading and cycle applications
- Lateral and compression adjustment +/- 0.75mm
- Height adjustment + 4mm
- Features a security locking screw with concealed fixings
- B300 Hinges available in left (LH) or right hand (RH)



Dimensions

swf

STEEL WINDOW FITTINGS



Steel Window Fittings



Steel Window Fittings LTD,
Unit 5, Bridge Business Park,
Horsehay, Shropshire, TF4 3EE

Info@steelwindowfittings.com

+44 (0) 1952 794054

+44 (0) 1952 794154

steelwindowfittings.com

This Catalogue supersedes all previous issues and can be subject to change without any prior notification. With our continuous product development we reserve the right to make modifications to our products which may include but not limited to specification, dimension and configuration changes without prior notice. This Catalogue is designed to provide you with useful information and pictures as guidance to help you choose the right products for your application. Whilst every care is taken to ensure accuracy of information contained at time of publication please note error & omissions expected (E&OE)

Co. Reg No: 7614370 England

VAT Reg No: GB 114 4647 30